

19xxx & 290x ILLUSTRIS Panels

Helvar



ILLUSTRIS® is a contemporary user interface with advanced lighting control features. Its sleek design incorporates touch-sensitive technology to provide an intuitive and familiar user experience. Integrated Bluetooth® connectivity expands the control possibilities to smartphones and tablets via the SceneSet® app for iOS and Android.

The panel range allows for easy-to-use control of lighting control systems and DALI Type 8 colour devices. They provide out-of-the-box ability to modify, store and recall intensity, colour temperature or colour scenes (CT and x-y). They can also be integrated into Helvar's DIGIDIM or Imagine systems.

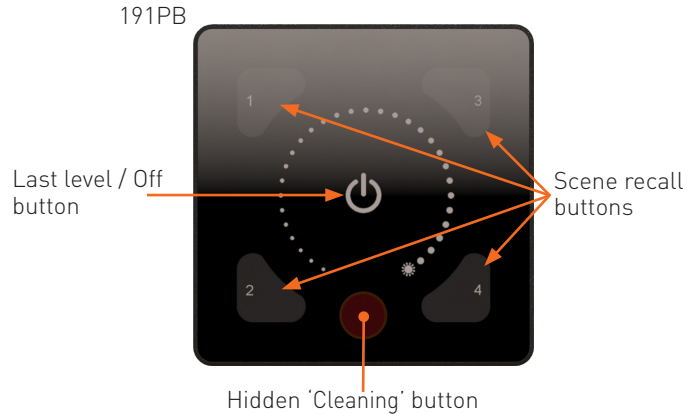
Designed for easy installation, the ILLUSTRIS panels consist of two parts, which are shipped separately: a DALI Interface (290x) and a Front Fascia (19xxx).

The ILLUSTRIS DALI Interface can be installed and used to operate the lighting without the Front Fascia either from the SceneSet app or from a touch-sensitive area*. A decorator's cover protects it during the final stages of a building project, before the Front Fascia is attached.

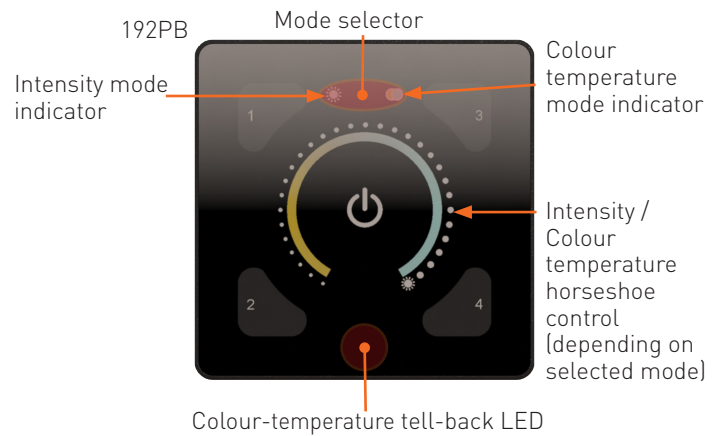
Key Features

- Standalone controller and user interface.
- Networkable on DIGIDIM or Imagine router systems.
- Minimal setup / Out-of-the-box operation.
- Capable of creating, storing and recalling four lighting scenes.
- Intuitive touch selection of operation mode, intensity, colour temperature and colour (depending on the model).
- Fully DALI-compatible.
- Supports DALI Type 8 colour temperature and x-y colour presentation.
- Available in a variety of front fascias for different controls, including customised versions.
- Glass and plastic front fascia finishes.
- App control via SceneSet mobile app (iOS and Android).
- Designed to fit UK, DIN and similar back boxes.
- Detergent and moisture tolerant, protection up to IP44 class for environments requiring high cleanliness.

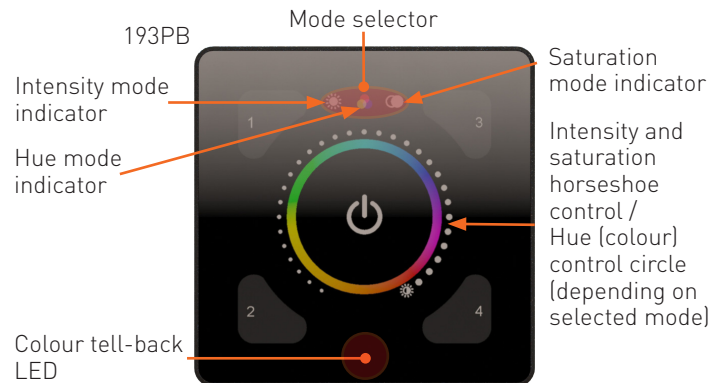
Common controls (all panels)



Colour temperature panels (192xx)



Colour panels (193xx)



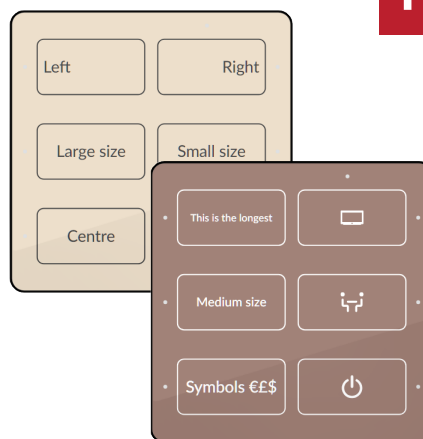
ILLUSTRIS Custom Panels

You can customise the ILLUSTRIS front fascias to support your project requirements in a lighting router system.

Choose from:

- 18 different panel layouts
- 23 RAL background colours
- Black or white bezels
- Glass or plastic materials
- Label buttons with text or in-built icons
- Selectable button text size and justification settings

For customisation support, contact your local Helvar sales representative.



Models and Finishes

Description	Functions	Material	Colour	Order code
Scene control Front Fascia	Four scenes, off/last level and intensity control	Glass	Black	191HB
Scene control Front Fascia	Four scenes, off/last level and intensity control	Glass	White	191HW
Scene control Front Fascia	Four scenes, off/last level and intensity control	Plastic	Black	191PB
Scene control Front Fascia	Four scenes, off/last level and intensity control	Plastic	White	191PW
Colour temperature control Front Fascia	Four scenes, off/last level and intensity/colour temperature control	Glass	Black	192HB
Colour temperature control Front Fascia	Four scenes, off/last level and intensity/colour temperature control	Glass	White	192HW
Colour temperature control Front Fascia	Four scenes, off/last level and intensity/colour temperature control	Plastic	Black	192PB
Colour temperature control Front Fascia	Four scenes, off/last level and intensity/colour temperature control	Plastic	White	192PW
Full colour control Front Fascia	Four scenes, off/last level, and intensity/hue/saturation control	Glass	Black	193HB
Full colour control Front Fascia	Four scenes, off/last level, and intensity/hue/saturation control	Glass	White	193HW
Full colour control Front Fascia	Four scenes, off/last level, and intensity/hue/saturation control	Plastic	Black	193PB
Full colour control Front Fascia	Four scenes, off/last level, and intensity/hue/saturation control	Plastic	White	193PW
ILLUSTRIS DALI Interface	On/off, Bluetooth® connectivity	Plastic	Black	290B
ILLUSTRIS DALI Interface	On/off, Bluetooth® connectivity	Plastic	White	290W
Custom Front Fascia from palette of 18 layouts	Custom scenes, off/last level, and intensity/hue/saturation/colour-temperature control, custom icons and labelling	Glass	Custom from palette of 24 colours	2XXHL
Custom Front Fascia from palette of 18 layouts	Custom scenes, off/last level, and intensity/hue/saturation/colour-temperature control, custom icons and labelling	Plastic	Custom from palette of 24 colours	2XXPL
Silicone gasket for H model	Provides IP44 protection class	Silicone rubber	White	ISBW
Silicone gasket for H model	Provides IP44 protection class	Silicone rubber	Black	ISBB

Technical Data

Connections

DALI cable: Push-fit terminals.
Wire section: 0.5 mm² – 1.5 mm² solid or stranded.

Cable rating: All cables must be mains rated.

Power

DALI supply input: 9.5 V – 22.5 V

DALI consumption: Typical: 22 mA @ 16 V
Maximum: 40 mA @ 9.5 V

Radio operation

Wireless connectivity: Bluetooth® Smart™

Mechanical data

Dimensions: 19xHx: 96 mm × 96 mm
19xPx: 89 mm × 89 mm
290x: 89 mm × 89 mm

Weight: 19xHx: 150 g
19xPx: 90 g
290x: 50 g

Material: 19xHx: Glass
19xPx: Acrylic (PMMA)
290x: Flame-retardant PC/ABS

IP code: IP30
IP44 with ISBW/ISBB silicone gasket with 19xHx types fascia.

Operating and storage conditions

Ambient temperature: 0 °C to +50 °C

Relative humidity: Max. 90 %, noncondensing

Storage temperature: -10 °C to +70 °C

Conformity and standards

DALI standard: IEC 62386
(Part 209: CT and x-y control only)

EMC: EN 55015
EN 61547

RED: EN 300328
EN 301489-17

Safety: 60669-2-1

Environment: Complies with WEEE and RoHS directives.

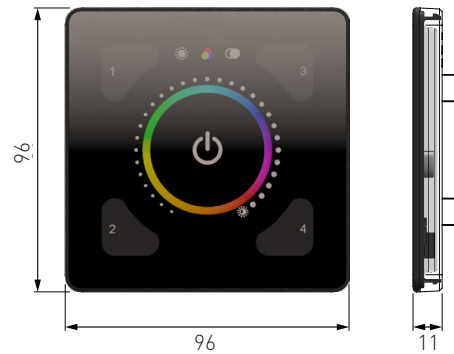
FCC: Contains FCC ID: WAP2005.

Software compatibility

Designer: 5.3.0 or later for standard panels
5.4.3 for custom panels

Dimensions (mm)

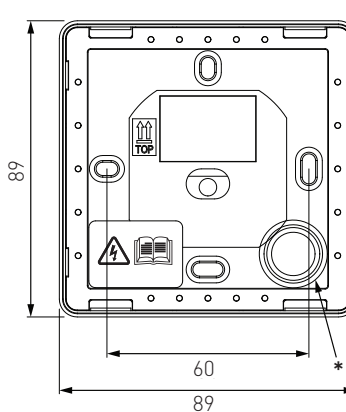
19xHx + 290x



19xPx + 290x



290x



ISBx

